

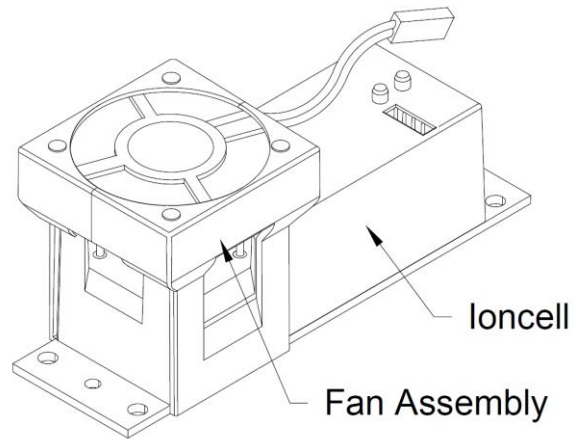
# Ioncell Fan Mounting Instructions

For kit P.N. 5051983

## Fan Mounting

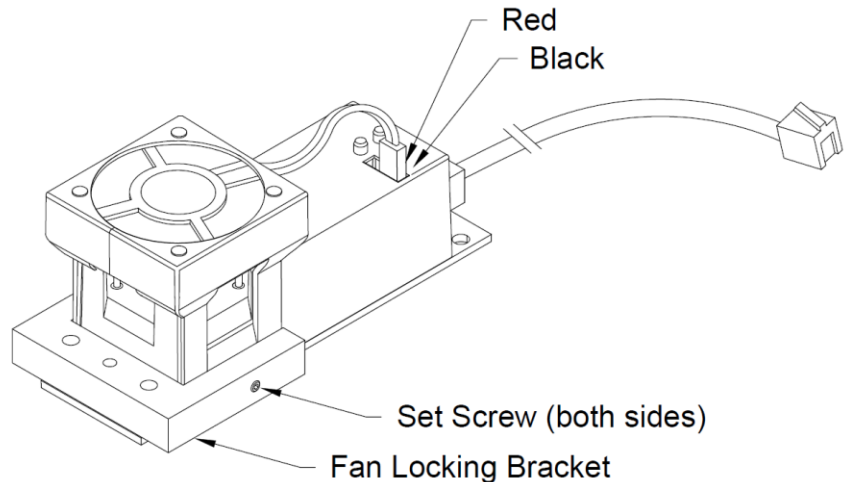
Locate fan assembly over ionizing points of Ioncell. Align mounting tabs on fan assembly with sides of Ioncell and fan wiring pointing towards indicator lights on Ioncell. Snap fan assembly into place over ionizing point assembly. Locking features on bottom of fan assembly tabs will engage locking features on base of Ioncell.

Install fan locking bracket flush to mounting flange on Ioncell. Turn set screws on sides of fan locking bracket until they secure locking bracket in place (do not over tighten).



## Electrical Connection

Plug fan connector into pin header on Ioncell, outer two pins, with black wire closest to side of Ioncell. The fan will draw power from the Ioncell and operate whenever Ioncell is energized.



## Finish Installation

Follow user instructions, 5201128, to complete installation of Ioncell.

