

IQ Power[®] / IQ Easy[®] Static Bar Mounting Instructions

Location

Your IQ Power / IQ Easy Static Bar should be located as far away from ground references as possible. A cylindrical space of radius “R” between the static bar and the web should be kept free of ground references. Refer to your Instruction Manual for more details on installation and operation.

CAUTION – FIRE HAZARD

DO NOT locate standard (non-HL) static bars in close proximity to flammable solvents!

DO NOT locate face of static bar within 2” of any metallic object!

Operating Distance

IQ Power / IQ Easy Static Bars should be mounted within the appropriate operating distance “R”:

Speed bars: 50 to 230mm [2 to 9 inches]

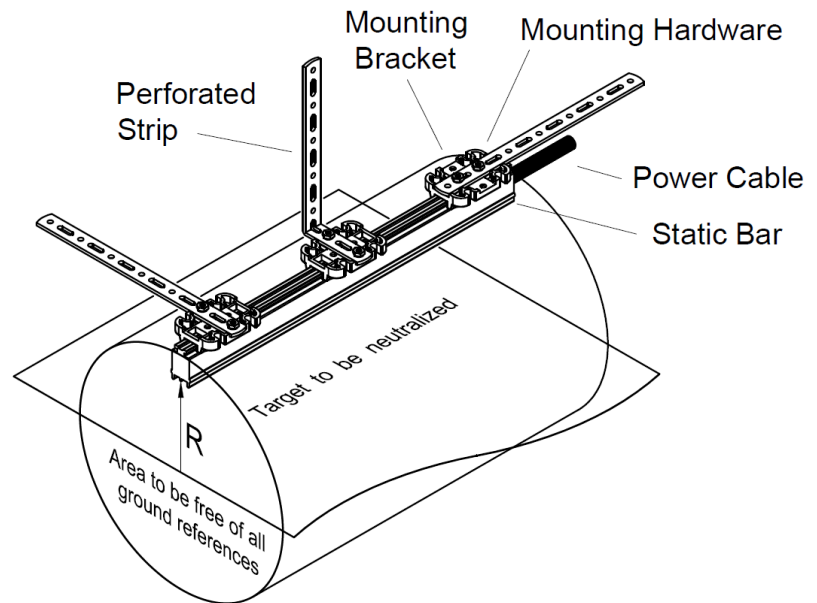
Hybrid bars: 150 to 460mm [6 to 18 inches]

Distance bars: 300 to 760 mm [12 to 30 inches]

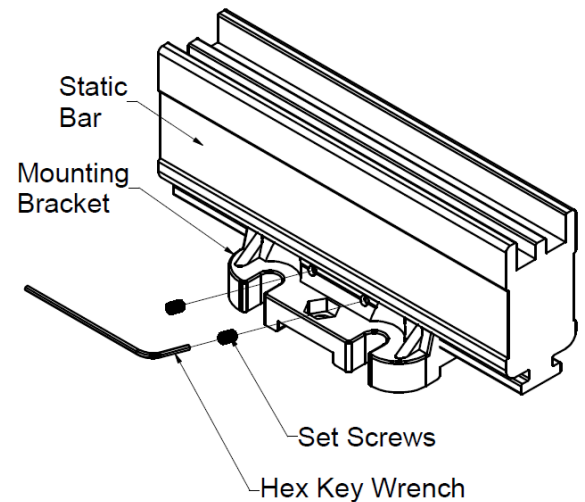
Installation

1. Ensure all power supplies are turned off.
2. Two or more mounting brackets are supplied with each static bar. Use perforated strip and mounting bracket to locate static bar. Perforated strip may be bent or twisted as necessary. The area behind static bar should be free as possible from grounded metal.
3. Tighten hardware securing mounting brackets. Install two set screws in the side of one (minimum) of the mounting brackets. Tighten set screws using hex key wrench provided to secure static bar.
4. Route the power cable from the static bar to the power supply and connect.

Refer to Instruction Manual for more details!



Perforated strips may be bent away from the static bar as necessary.



Set screws keep the static bar from sliding in the mounting brackets.