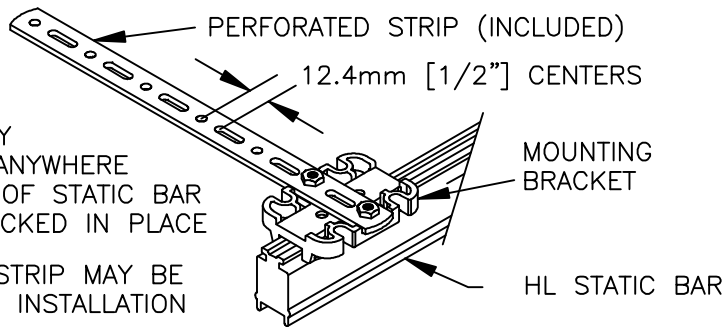


MOUNTING BRACKETS MAY BE LOCATED ANYWHERE ALONG BACK OF STATIC BAR AND THEN LOCKED IN PLACE

PERFORATED STRIP MAY BE BENT TO SUIT INSTALLATION

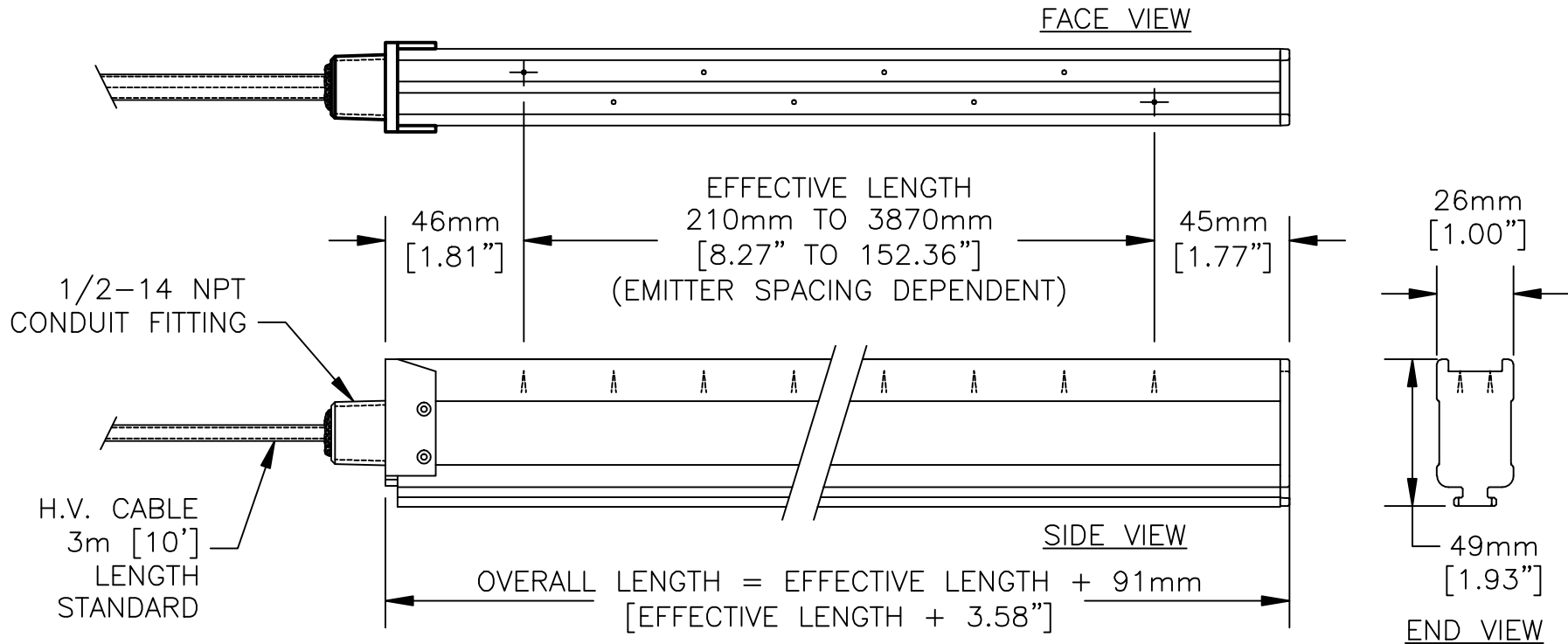


BAR TYPE	EMITTER SPACING	NUMBER OF EMITTERS	
		MINIMUM	MAXIMUM
SPEED	30mm	8	130
HYBRID	90mm	8	44

BARS ALWAYS HAVE AN EVEN NUMBER OF EMITTERS.
 EFFECTIVE LENGTH =
 (NUMBER OF EMITTERS - 1) X EMITTER SPACING

STANDARD MOUNTING BRACKETS

AVAILABLE LENGTHS



ALL DIMENSIONS FOR REFERENCE ONLY

E	MFS	3210
REV	CHECKED	ECN
	APPROVED	DATE



2257 NORTH PENN ROAD
 HATFIELD, PA. USA
 19440-1998

TITLE
 IQ POWER HL STATIC BAR

DRAWING NUMBER
 5001255