

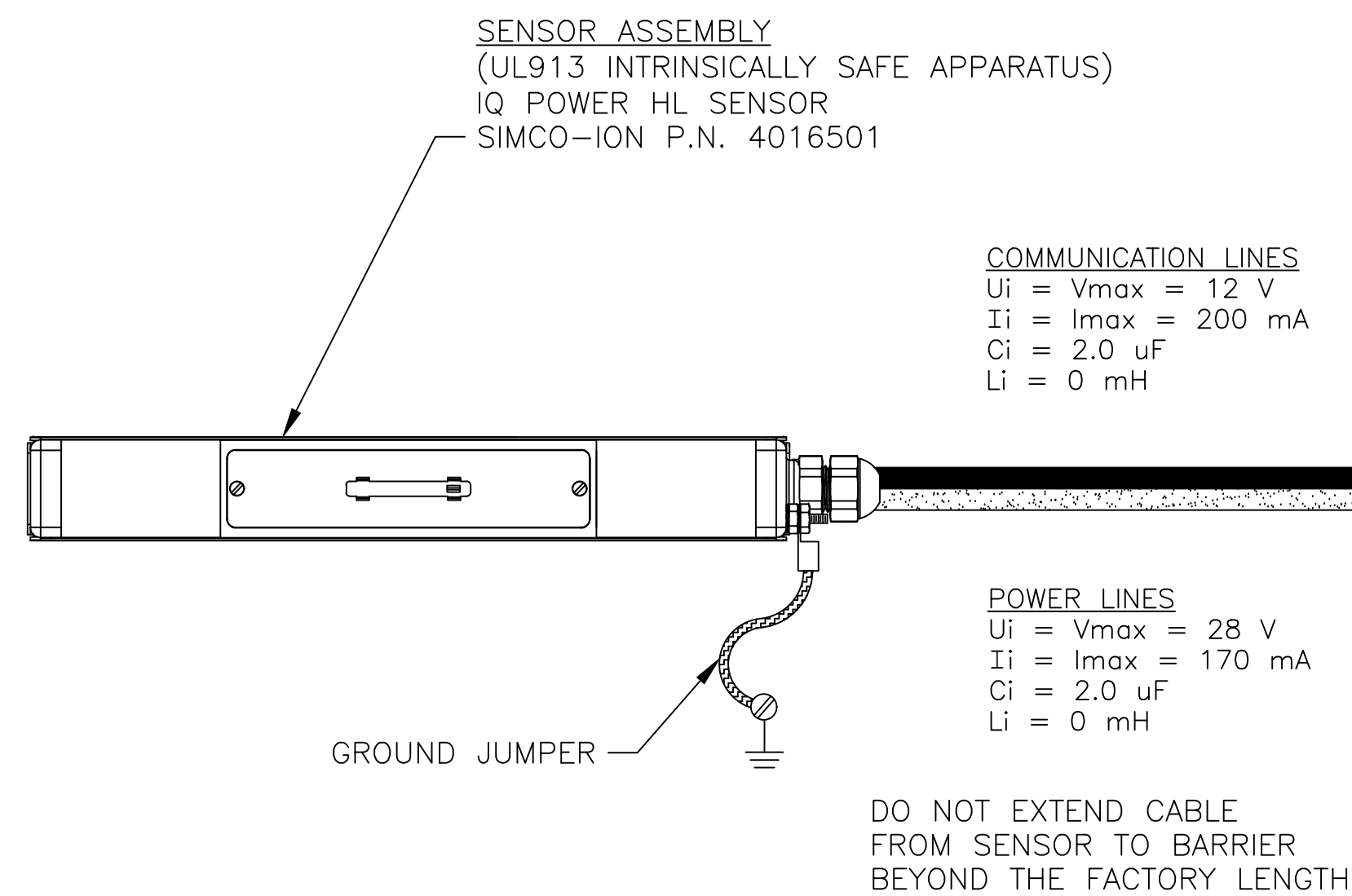
CONTROL DRAWING

HAZARDOUS (CLASSIFIED) LOCATION

Ex ia IIA T4 Ga
 CLASS I, DIVISION 1, GROUP D
 T4, Ta = 0°C TO +40°C

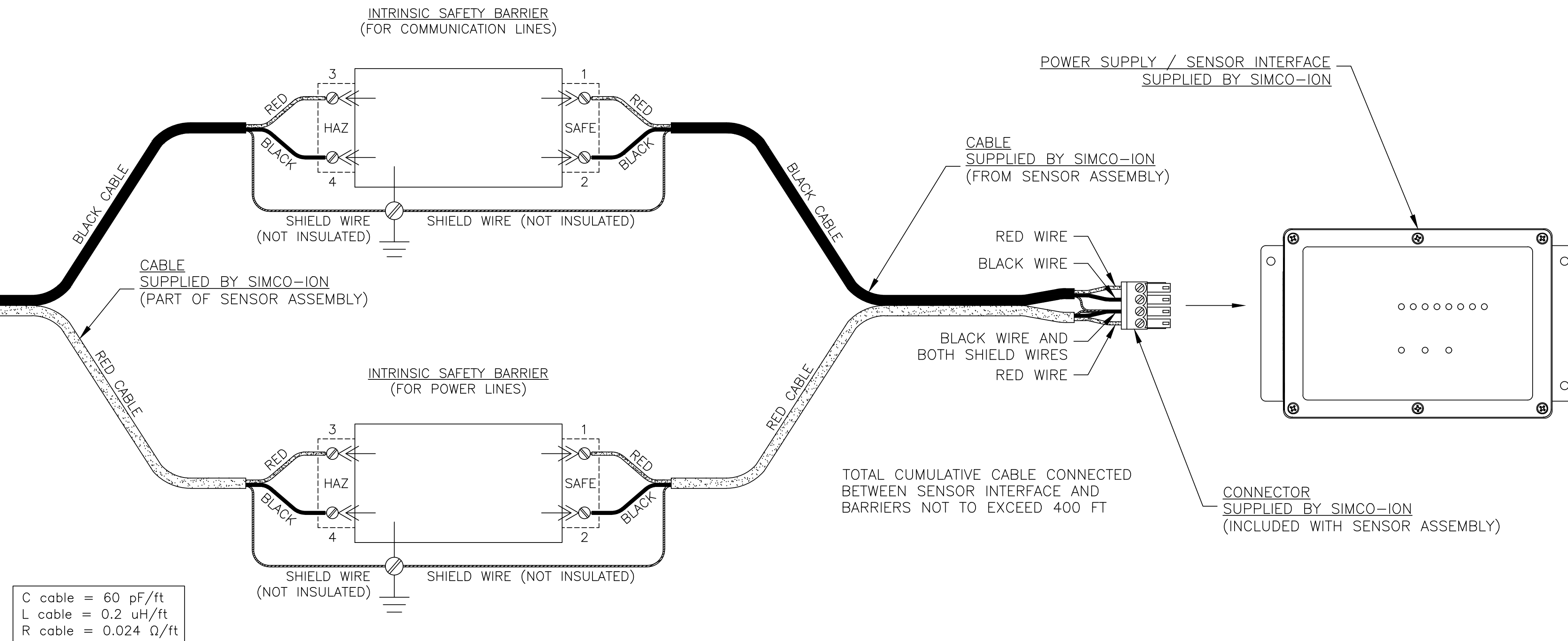
NON-HAZARDOUS (UNCLASSIFIED) LOCATION

APPARATUS (FIELD DEVICE)



PHYSICAL BOUNDARY

ASSOCIATED APPARATUS (BARRIER)



C cable = 60 pF/ft
 L cable = 0.2 uH/ft
 R cable = 0.024 Ω/ft

- NOTES:
- 1) INSTALLATION MUST BE IN ACCORDANCE WITH THE NATIONAL ELECTRICAL CODE (NEC) OR APPLICABLE GOVERNMENT, STATE, PROVIDENCE OR LOCAL REGULATIONS.
 - 2) -
 - 3) WARNING: SENSOR IS NOT GALVANICALLY ISOLATED, INSTALL ACCORDING TO NEC OR CEC AS REQUIRED BY YOUR LOCAL REGULATIONS.
 - 4) REFER TO SIMCO-ION INSTRUCTION MANUALS 5201252, 5201253, AND 5201250 FOR ADDITIONAL INFORMATION.

This document is controlled under Intertek ETL regulatory contract. All changes require Intertek approval. (ref: Report 102238654DAL)

C.A.D. GENERATED
 NO MANUAL CHANGES ARE TO BE MADE TO THIS DOCUMENT

THESE DRAWINGS AND SPECIFICATIONS ARE THE EXCLUSIVE PROPERTY OF SIMCO-ION, AN ITW COMPANY. ISSUED IN STRICT CONFIDENCE AND SHALL NOT, WITHOUT THE PRIOR WRITTEN PERMISSION OF SIMCO-ION, AN ITW COMPANY, BE REPRODUCED, COPIED, OR USED FOR ANY PURPOSE WHATSOEVER EXCEPT THE MANUFACTURE OF ARTICLES FOR SIMCO-ION, AN ITW COMPANY.

REV	DESCRIPTION	DATE	REV	DESCRIPTION	DATE
B	UPDATED CABLE DESC. ADDED LENGTH NOTES	4/14/16	3	ADDED EX DESIGNATION	12/9/15
A	SAME AS REV 3	RCC	2	TEMP SPEC WAS -20C TO +40C	11/12/15
	PRODUCTION RELEASE	12/15/15	1	PRELIMINARY	8/27/15
	ADDED EX DESIGNATION	RCC			
	UPDATED SPECS	12/9/15			
D	REMOVED SAFETY BARRIER DETAILS	7/26/24			
C	REMOVE NOTE 2	4/17/15			
	UPDATE CS MANUAL PN	3/9/21			

3736	DIMENSIONS IN INCHES; DO NOT SCALE DRAWING	TOLERANCES UNLESS SPECIFIED	XXX=±0.005 -XX=±0.01
		FRACTIONS=1/8" ANGLE=±1/2"	
		FINISH	
		ALL OVER	

TITLE		IQ POWER HL SENSOR	
DRAFTSMAN	R Rodrigo	DATE	7/20/15
PROJ ENGR	J GORCZYCZ	DATE	8/26/15
FILE NAME		SCALE	1/1
		SHEET	1 OF 1
		DRAWING NUMBER	5150010

SIMCO ION		2257 NORTH PENN ROAD	
An ITW Company		HATFIELD, PA USA	
		19440-1998	