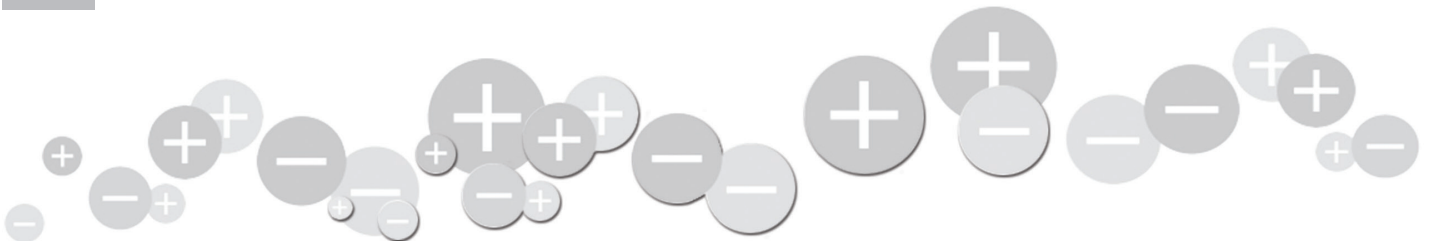




Neutro-Vac® WEB CLEANING SYSTEM

Simco-Ion's Neutro-Vac Web Cleaning System combines the power of a static elimination, compressed air blast brushes, and a high exhaust head to agitate the web, remove the static bond and evacuate surface particulate. This high efficiency dust collection system incorporates active static elimination, aggressive particle agitation and vacuum removal of debris for cleaning webs or sheets. Neutro-Vac Systems consist of a stainless-steel vacuum hood, 3' flexible hose and are ideal for installation over webs from 4" to 126" wide and for cleaning thin film to board stock.

- Reduces product rejects
- Improves overall product quality
- Increases productivity
- Minimizes maintenance and downtime for cleaning
- Configurable to an existing vacuum system



Key Features & Benefits

- **Compact Design:** Optimized for space-saving without compromising on performance.
- **Stainless Steel Hoods:** Durable and resistant to corrosion, ensuring longevity.
- **Butterfly Valve for Enhanced Vacuum Adjustment:** Delivers improved airflow and vacuum control for more effective debris removal.
- **Easy Installation:** Can be easily bolted onto existing lines, minimizing downtime and setup costs.
- **Patent-Pending Flow Damper:** Innovative design enhances airflow regulation, contributing to more precise cleaning performance.
- **Versatility:** Suited for a wide range of web materials, ensuring adaptability across different processes. Connect your vacuum to the hood, or explore our range of available connectors to find the perfect solution for your needs. Vacuum connection can be reconfigured if needed.

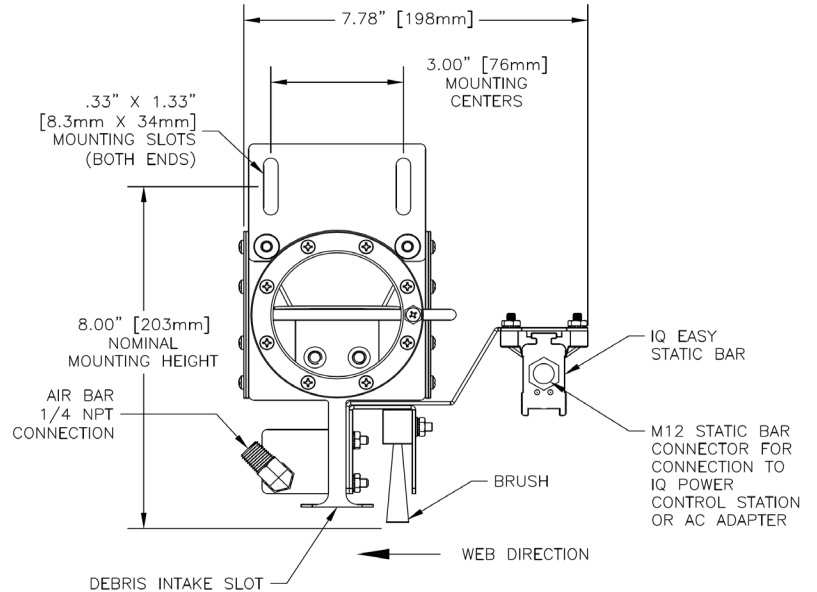
The Neutro-Vac® Web Cleaning System

The Neutro-Vac head is designed so that no adjustment is required to accommodate a change in web. It utilizes an IQ Easy static bar to eliminate static charges on webs and other materials. After the web is neutralized, it passes under a nylon brush which loosens debris from the web. Particles are then subjected to an aggressive blast of compressed air which lifts debris from the web. Debris is captured and drawn into the vacuum system through an inlet. This configuration is used in applications where web material can tolerate contact and requires aggressive cleaning. If no contact is desired, the brush can be removed.

The Neutro-Vac System (4"-126") is designed to provide an unbiased level of contamination removal. It is ideal for applications such as:

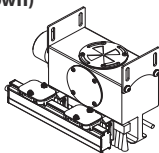
- Printing - Digital, Flexographic, Ink, Jet, Gravure
- Medical and Food Packaging
- Battery Materials
- Supported/Unsupported Film Applications

Dimensions

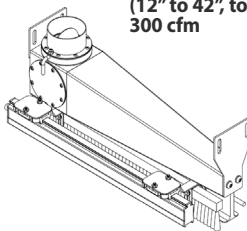


Hood Options

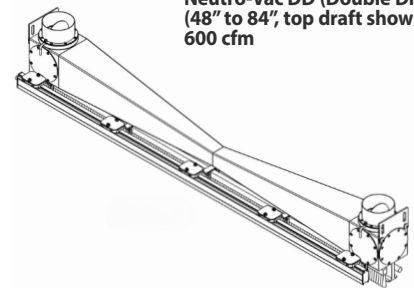
Neutro-Vac MD (Mini Draft)
(4" to 10"; side draft shown)
100 cfm



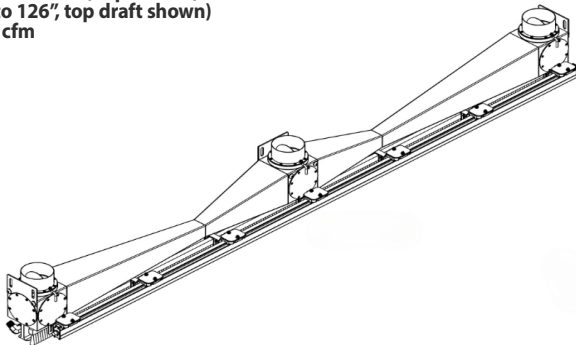
Neutro-Vac SD (Single Draft)
(12" to 42"; top draft shown)
300 cfm



Neutro-Vac DD (Double Draft)
(48" to 84"; top draft shown)
600 cfm



Neutro-Vac TD (Triple Draft)
(90" to 126"; top draft shown)
1200 cfm



SIMCO ION™
An ITW Company

PN 5201328 Rev B
© 2025 Simco-Ion - All rights reserved.
Specifications are subject to change without notice.

Simco-Ion
2257 North Penn Road
Hatfield, PA 19440-1998
Tel: 800.203.3419 (in USA)
Tel: 215.822.6401
customerservice@simco-ion.com
www.simco-ion.com