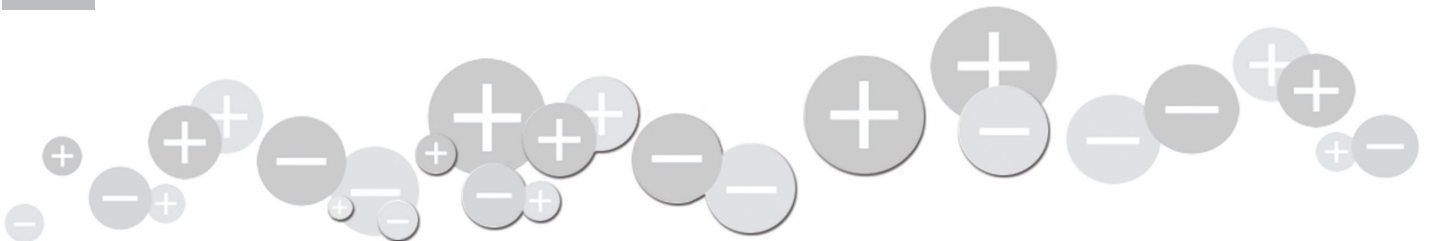


Phoenix

EXTENDED RANGE IONIZING AIR BLOWER

Simco-Ion's Phoenix extended range ionizing blower provides optimum static charge neutralization for a wide variety of industrial applications. Designed to efficiently cover a wide area with fast neutralization, the Phoenix ionizer is both powerful and portable.

- Extended range effective up to 10'
- Variable speed fan control
- Easily replaceable filters
- Point cleaner allows for easy maintenance
- Portable floor stand available



Specifications

Input Voltage	120V, 60 Hz	
Current	120V, 2.0A	
Air Volume	110-300 cfm (variable)	
Ozone	0.023 ppm (test method is accordance with EPA method EQQA-0577-019 using Dasibi Ozone Monitor Model 1003AH)	
Coverage	2' x 10' area	
Airflow	<u>Distance from Ionizer</u>	<u>Full Speed 60 Hz</u>
	1'	2000 fpm
	2'	1250 fpm
	4'	800 fpm
	(measured at centerline of airstream; performance at 50 Hz is reduced)	
Audible Noise	68 dBA measured 2' in front of Ionizer operating at high speed	
Indicator Lights	Status light ON when high voltage present at ionizing points	
Air Filter	Replaceable foam filter, 25 ppi	
Mounting	Optional floor stand 50-74" in 4" steps	
Enclosure	Aluminum	
Dimensions	16.38"W x 9.75"H x 13.25"D	
Weight	16.1 lbs	
Certification	UL	

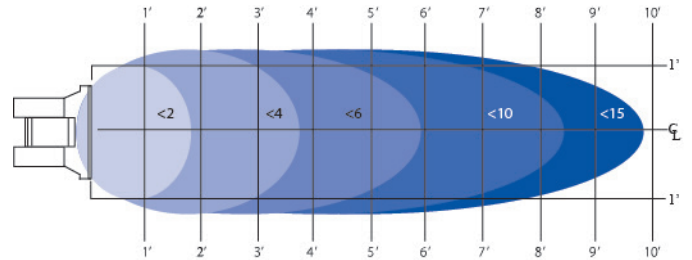
Part Numbers

4004175	Phoenix Blower 120V, 60 Hz
5050369	Phoenix Portable Floor Stand
4100642	Replacement Filters - Phoenix, XP-20F (20/pk)



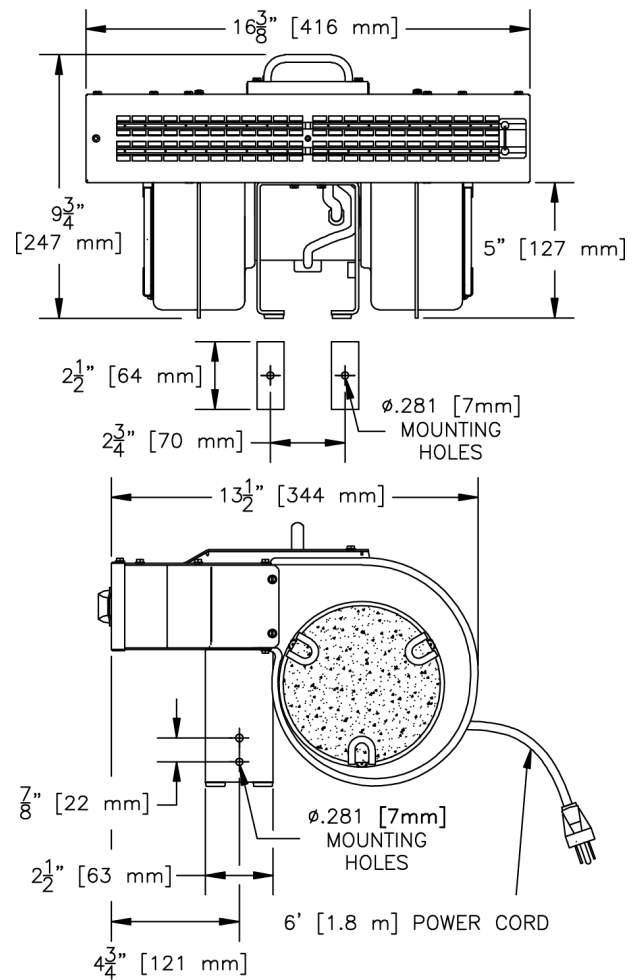
Discharge Time Performance

Each region represents approximate times (in seconds) required to discharge per EOS/ESD standard No. 3, 1000V-100V.



NOTE: Characteristics will vary based on material, air volume output and use of air input filters.

Dimensions



SIMCO IONTM
An ITW Company

Simco-Ion
2257 North Penn Road
Hatfield, PA 19440-1998
Tel: 800.203.3419 (in USA)
Tel: 215.822.6401
customerservice@simco-ion.com
www.simco-ion.com

P/N 5200638 Rev. E
© 2021 Simco-Ion - All rights reserved.
Specifications are subject to change without notice.