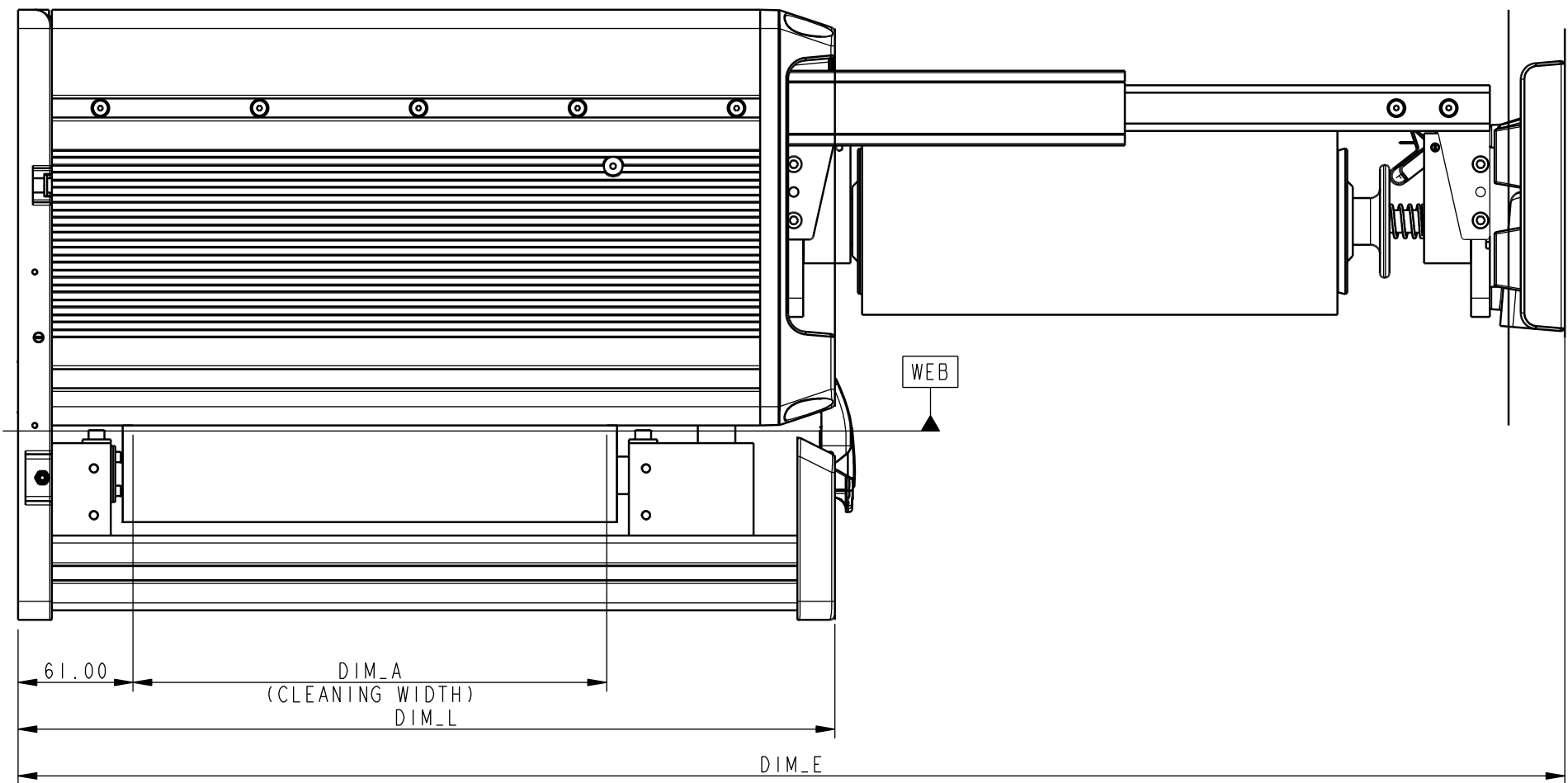
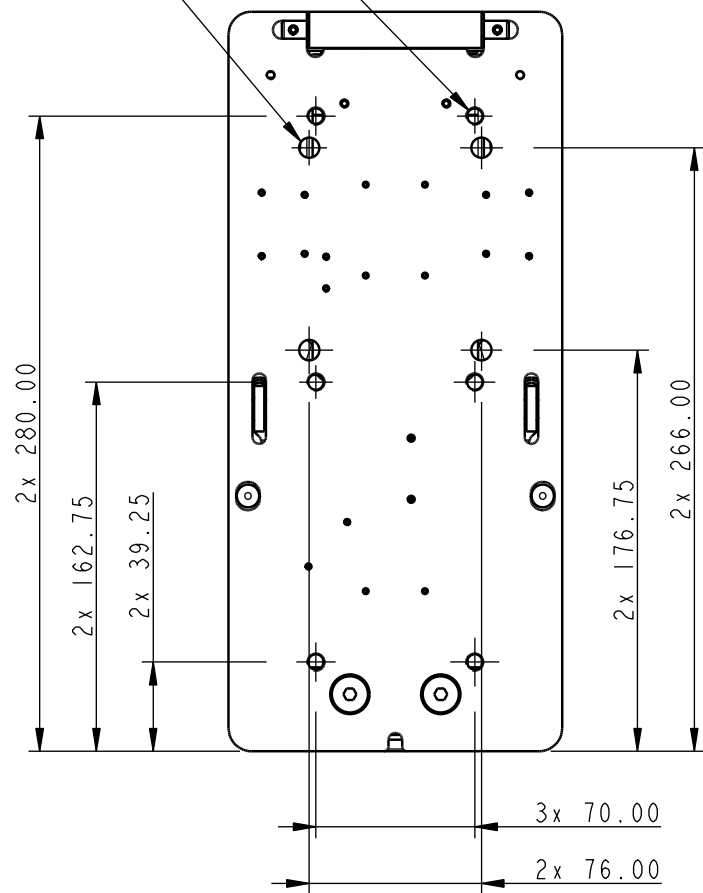


1	2	3	4	5	6	7	8
DESCRIPTION OF CHANGE		REV		PART No. P179032			Rev. 02
ACTIVE STATIC LAYOUTS ADDED		02					

**BACK MOUNTING OPTIONS**

4x Ø9.0 THRO' C/BORED  
 Ø14.0 x 10 DEEP (INSIDE FACE)  
 (OPTIONAL MOUNTING HOLES)

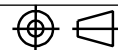
6x M8 x 1.25 - 6H x 18.0 DEEP  
 (OPTIONAL MOUNTING HOLES)



	DIM_A	DIM_H	DIM_L	DIM_E
NW3 SS 762	762	818.5	955	1334.5
NW3 SS 622	622	743.5	815	1194.5
NW3 SS 570	570	715.5	763	1142.5
NW3 SS 520	520	688.5	713	1092.5
NW3 SS 470	470	661.5	663	1042.5
NW3 SS 430	430	640.0	623	1002.5
NW3 SS 345	345	594.5	538	917.5
NW3 SS 254	254	545.5	447	826.5

NOTES:

STD DESIGN SPEC. P15487



DIMENSIONAL TOLERANCES UNLESS OTHERWISE STATED:  
 DIMENSION X. ± .50mm ANGLES X. ± 2.0°  
 X.X ± .25mm X.X ± 1.0°  
 X.XX ± .10mm X.XX ± 0.5°

© 2023 TEKNEK  
 ALL PRODUCTS DESIGNED, DEVELOPED AND MANUFACTURED BY TEKNEK ARE PROTECTED BY COPYRIGHT, UNREGISTERED DESIGN RIGHT AND, WHERE APPROPRIATE, PATENT OR REGISTERED DESIGN. NO ELEMENT OF ANY PRODUCT SHOULD BE COPIED WITHOUT THE PRIOR WRITTEN PERMISSION OF TEKNEK.

TEKNEK  
 River Drive, Inchinnan  
 PA4 9RT, Scotland, United Kingdom  
 Telephone: +44 (0) 141 568 8100  
 E-mail: teknek@teknek.com  
 Web: - <http://www.teknek.com>



02	05.02.24	6306	MF
01	07.11.23	6255	MF
REV	DATE	ECN No.	ENG.

ENGR: M.FORSTER DATE: 07.11.23

MATERIAL: SEE NOTES

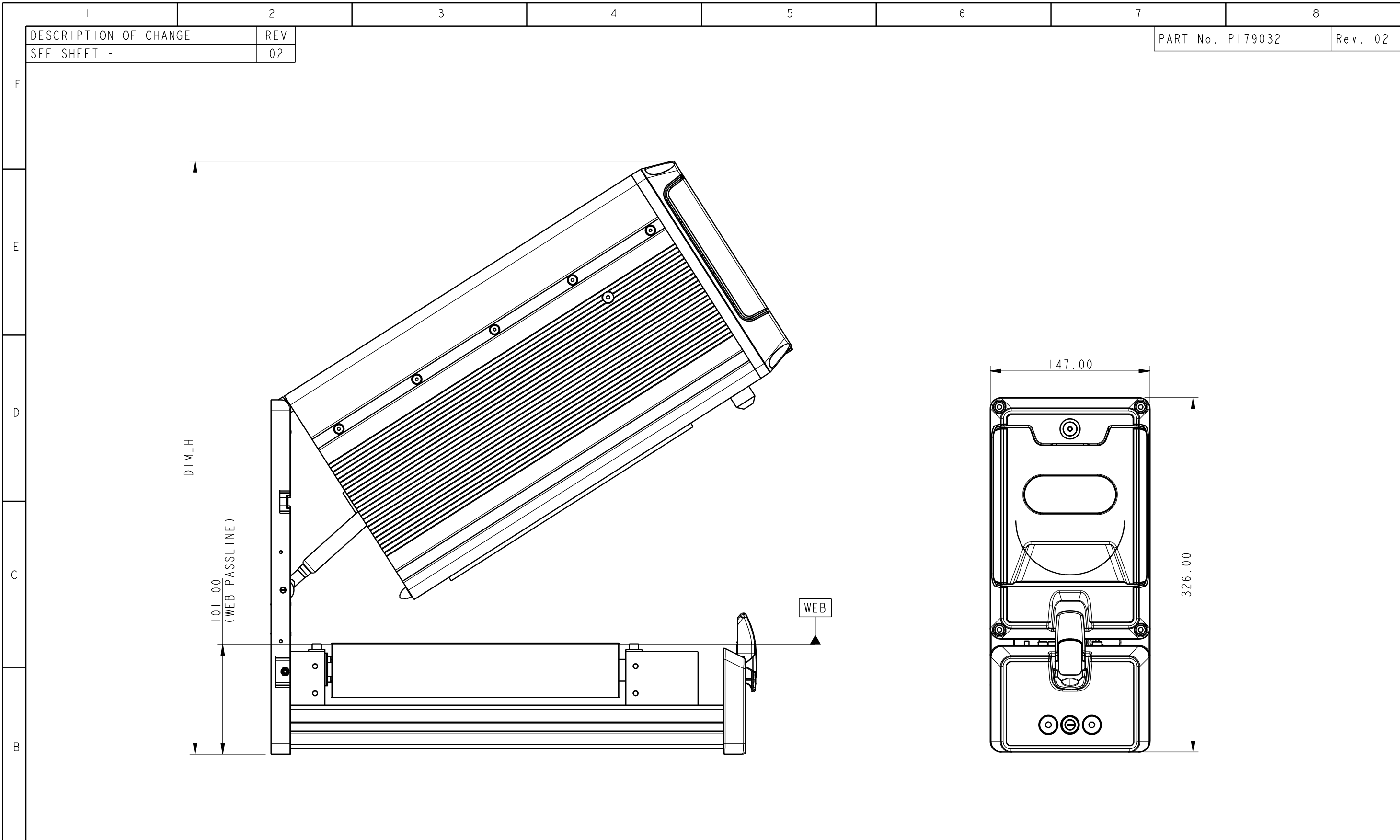
PROJECT: NW3

FINISH: SEE NOTES

TITLE: NW3 SS LAYOUT

SCALE: 1:10 SHEET 1 OF 4

DRG SIZE: A3 PART No. P179032 Rev. 02



DESCRIPTION OF CHANGE	REV
SEE SHEET - 1	02

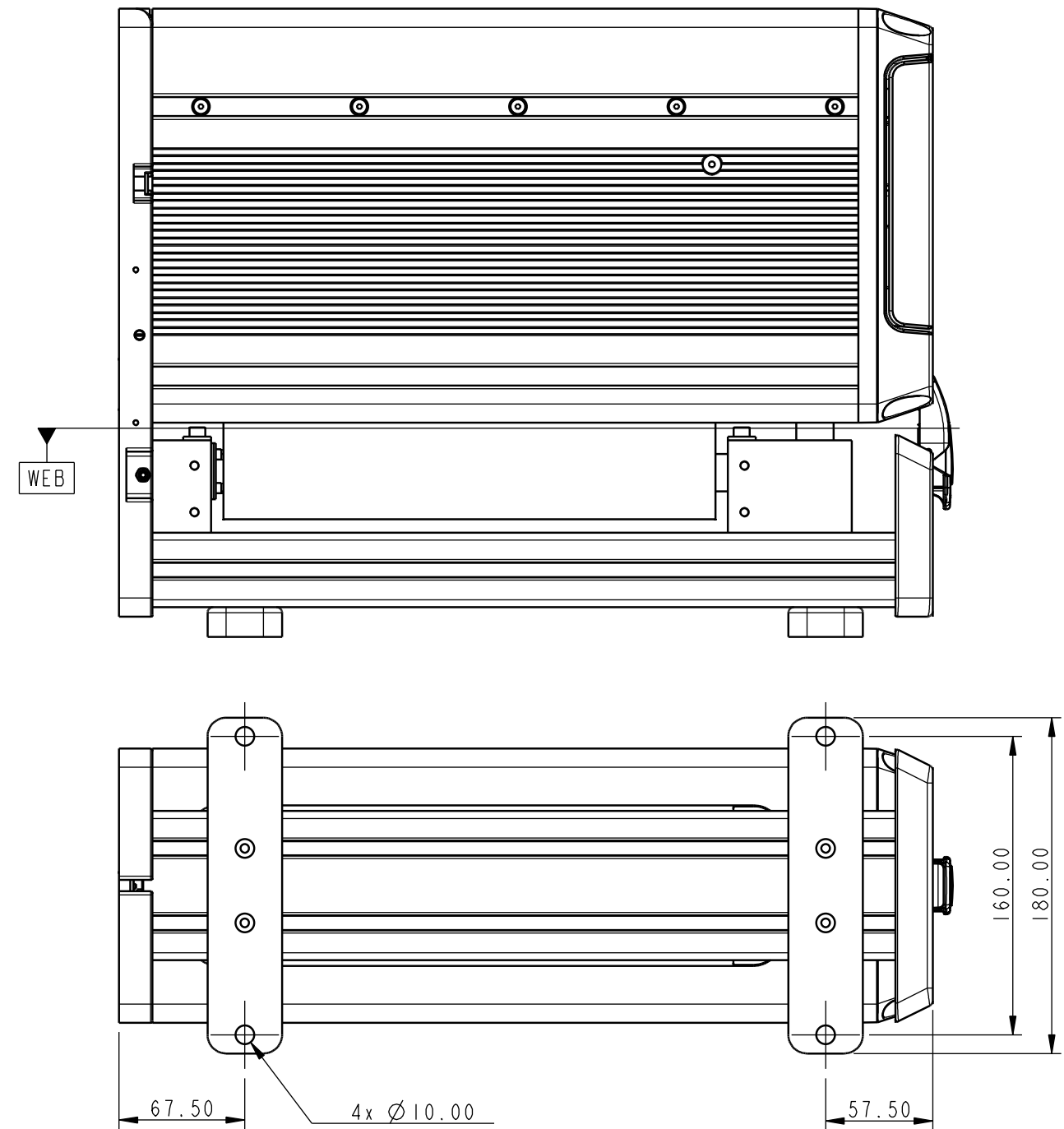
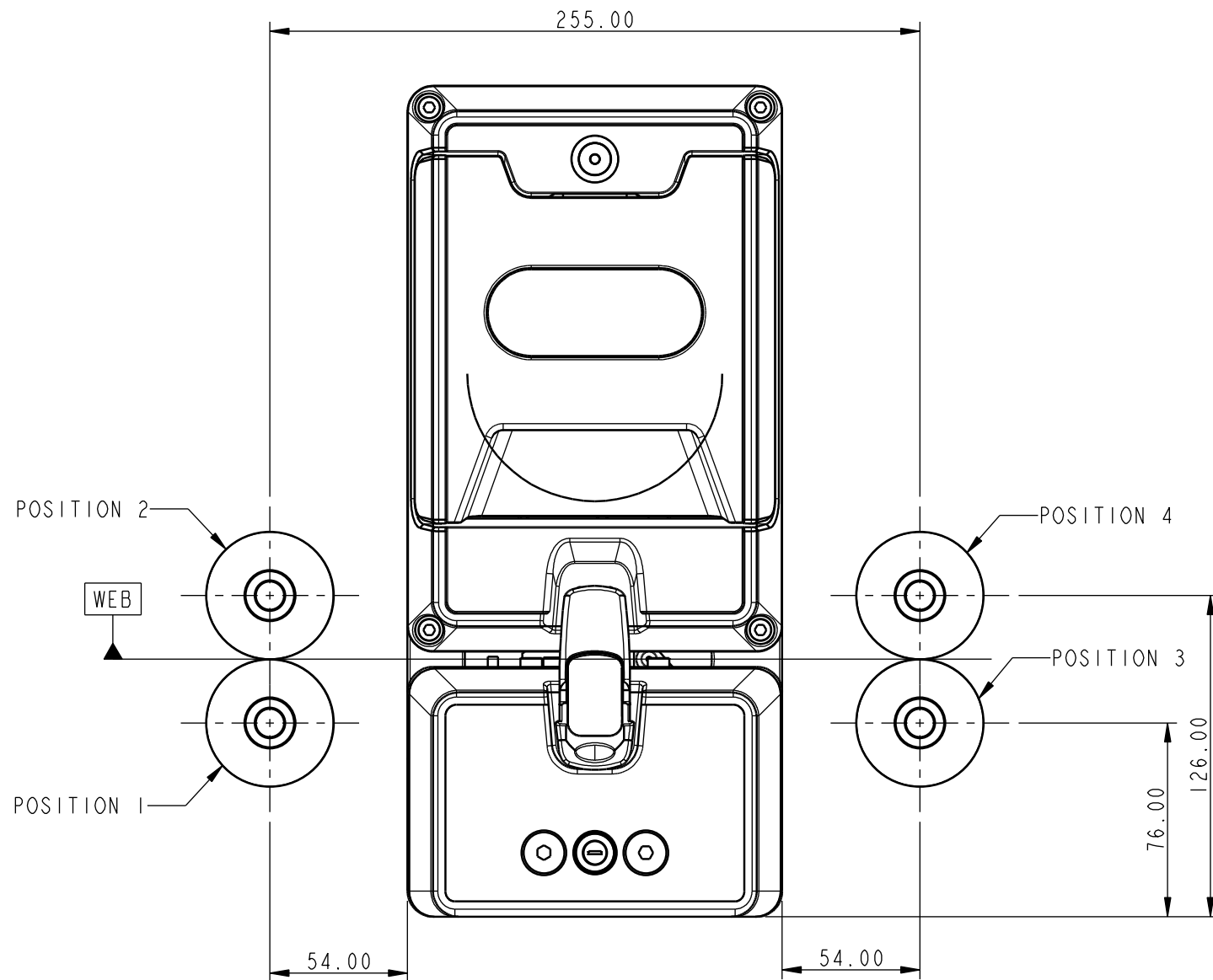
PART No. P179032 Rev. 02

A	NOTES:				STD DESIGN SPEC. P15487		© 2023 TEKNEK ®	TEKNEK River Drive, Inchinnan PA4 9RT, Scotland, United Kingdom Telephone: +44 (0) 141 568 8100 E-mail: teknek@teknek.com Web: - http://www.teknek.com	 An ITW Company
					DIMENSIONAL TOLERANCES UNLESS OTHERWISE STATED: DIMENSION X. ± .50mm ANGLES X. ± 2.0° X.X ± .25mm X.X ± 1.0° X.XX ± .10mm X.XX ± 0.5°		ALL PRODUCTS DESIGNED, DEVELOPED AND MANUFACTURED BY TEKNEK ARE PROTECTED BY COPYRIGHT, UNREGISTERED DESIGN RIGHT AND, WHERE APPROPRIATE, PATENT OR REGISTERED DESIGN. NO ELEMENT OF ANY PRODUCT SHOULD BE COPIED WITHOUT THE PRIOR WRITTEN PERMISSION OF TEKNEK.		
	02	05.02.24	6306	MF	ENGR: M.FORSTER	DATE: 07.11.23	MATERIAL: SEE NOTES	PROJECT: NW3	
	01	07.11.23	6255	MF			FINISH: SEE NOTES	TITLE: NW3 SS LAYOUT	
	REV	DATE	ECN No.	ENG.			SCALE: 3:10	SHEET 2 OF 4	DRG SIZE: A3 PART No. P179032 Rev. 02

1	2	3	4	5	6	7	8		
DESCRIPTION OF CHANGE SEE SHEET - 1		REV 02						PART No. P179032	Rev. 02

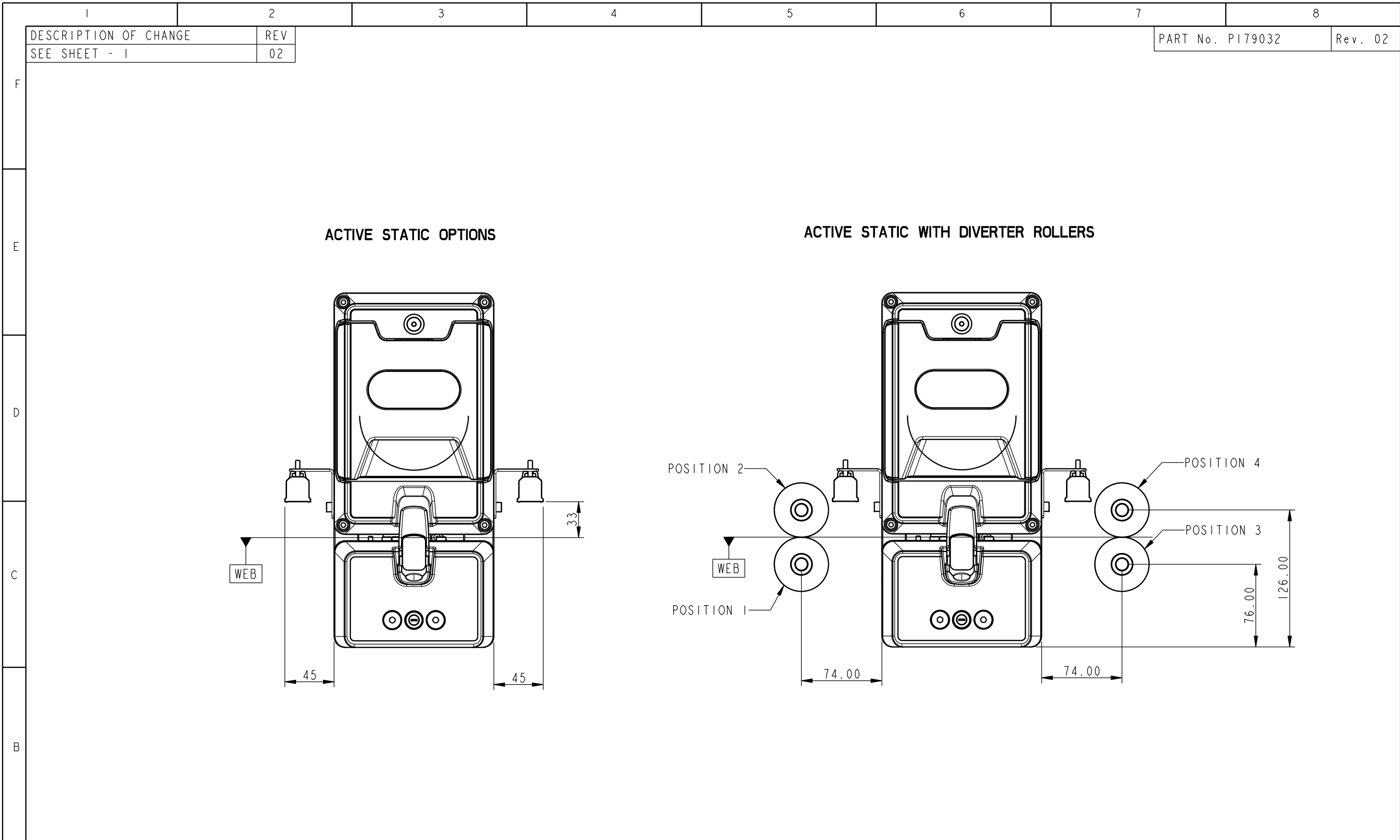
**BASE MOUNTING**

**DIVERTER ROLLER OPTIONS**



**NOTES:**

A	NOTES:				STD DESIGN SPEC. P15487		© 2023 TEKNEK ®	TEKNEK River Drive, Inchinnan PA4 9RT, Scotland, United Kingdom Telephone: +44 (0) 141 568 8100 E-mail: teknek@teknek.com Web: - http://www.teknek.com			
					DIMENSIONAL TOLERANCES UNLESS OTHERWISE STATED: DIMENSION X. ± .50mm ANGLES X. ± 2.0° X.X ± .25mm X.X ± 1.0° X.XX ± .10mm X.XX ± 0.5°		ALL PRODUCTS DESIGNED, DEVELOPED AND MANUFACTURED BY TEKNEK ARE PROTECTED BY COPYRIGHT, UNREGISTERED DESIGN RIGHT AND, WHERE APPROPRIATE, PATENT OR REGISTERED DESIGN. NO ELEMENT OF ANY PRODUCT SHOULD BE COPIED WITHOUT THE PRIOR WRITTEN PERMISSION OF TEKNEK.				
	02	05.02.24	6306	MF	ENGR: M.FORSTER	DATE: 07.11.23	MATERIAL: SEE NOTES	PROJECT: NW3			
	01	07.11.23	6255	MF			FINISH: SEE NOTES	TITLE: NW3 SS LAYOUT			
	REV	DATE	ECN No.	ENG.			SCALE: 3:10	SHEET 3 OF 4	DRG SIZE: A3	PART No. P179032	Rev. 02



A	NOTES:				STD DESIGN SPEC. P15487		© 2023 TEKNEK ®	TEKNEK River Drive, Inchinnan PA4 9RT, Scotland, United Kingdom Telephone: +44 (0) 141 568 8100 E-mail: teknek@teknek.com Web:- <a href="http://www.teknek.com">http://www.teknek.com</a>			
					DIMENSIONAL TOLERANCES UNLESS OTHERWISE STATED: DIMENSION X. ± .50mm ANGLES X. ± 2.0° X.X ± .25mm X.X ± 1.0° X.XX ± .10mm X.XX ± 0.5°		ALL PRODUCTS DESIGNED, DEVELOPED AND MANUFACTURED BY TEKNEK ARE PROTECTED BY COPYRIGHT, UNREGISTERED DESIGN RIGHT AND, WHERE APPROPRIATE, PATENT OR REGISTERED DESIGN. NO ELEMENT OF ANY PRODUCT SHOULD BE COPIED WITHOUT THE PRIOR WRITTEN PERMISSION OF TEKNEK.				
		02	05.02.24	6306	MF	ENGR: M.FORSTER	DATE: 07.11.23	MATERIAL: SEE NOTES	PROJECT: NW3		
		01	07.11.23	6255	MF			FINISH: SEE NOTES	TITLE: NW3 SS LAYOUT DIVERTERS		
	REV	DATE	ECN No.	ENG.			SCALE: 3:10	SHEET 4 OF 4	DRG SIZE: A3	PART No. P179032	Rev. 02