

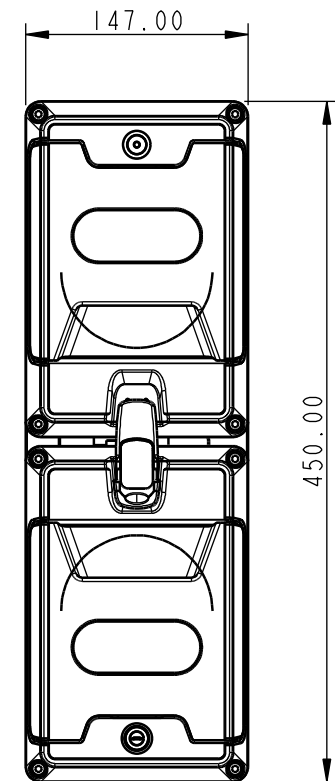
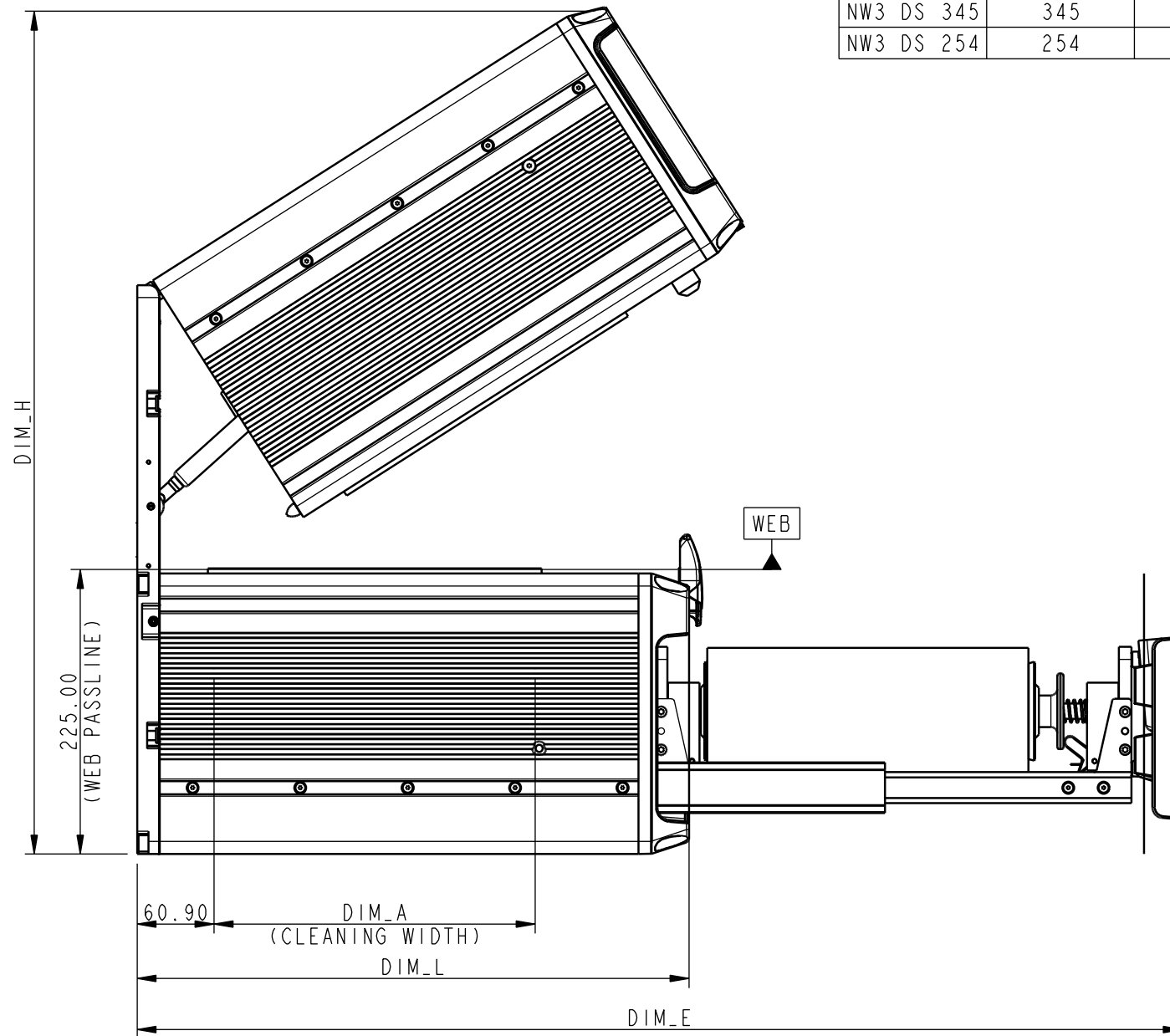
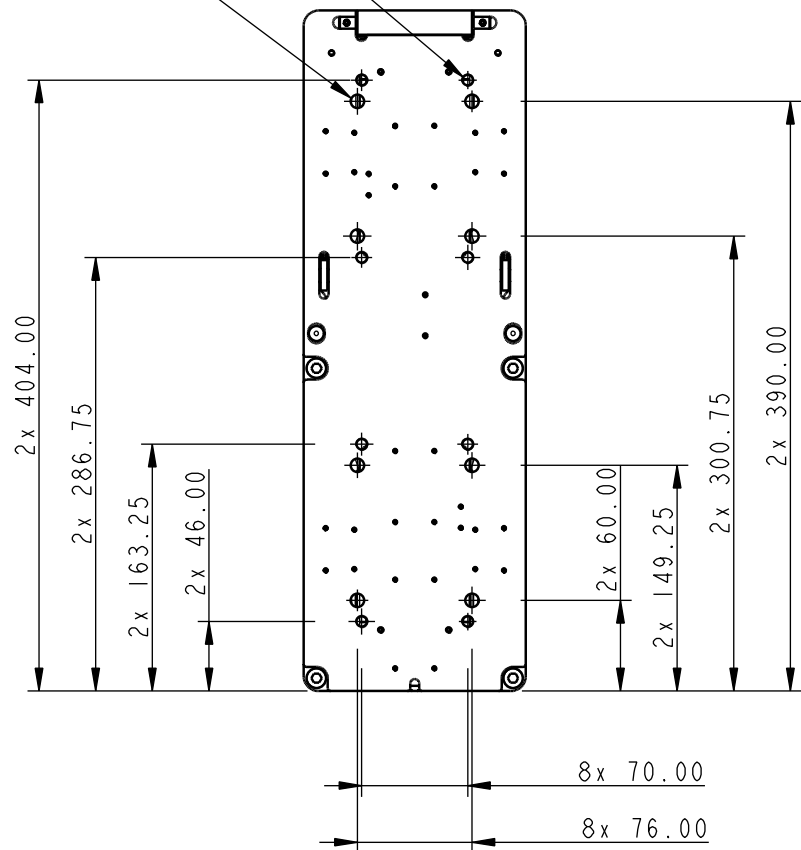
1	2	3	4	5	6	7	8
DESCRIPTION OF CHANGE		REV		PART No. PI78878			Rev. 02
ACTIVE STATIC LAYOUTS ADDED		02					

	DIM_A	DIM_H	DIM_L	DIM_E
NW3 DS 762	762	946	955	1334.5
NW3 DS 622	622	868	815	1194.5
NW3 DS 570	570	840	763	1142.5
NW3 DS 520	520	813	713	1092.5
NW3 DS 470	470	786	663	1042.5
NW3 DS 430	430	765	623	1002.5
NW3 DS 345	345	719	538	917.5
NW3 DS 254	254	670	447	826.5

**BACK MOUNTING OPTIONS**

8x  $\varnothing 9.0$  THRO' C/BORED  
 $\varnothing 14.0$  x 10 DEEP (INSIDE FACE)  
(OPTIONAL MOUNTING HOLES)

8x M8 x 1.25 - 6H x 18.0 DEEP  
(OPTIONAL MOUNTING HOLES)

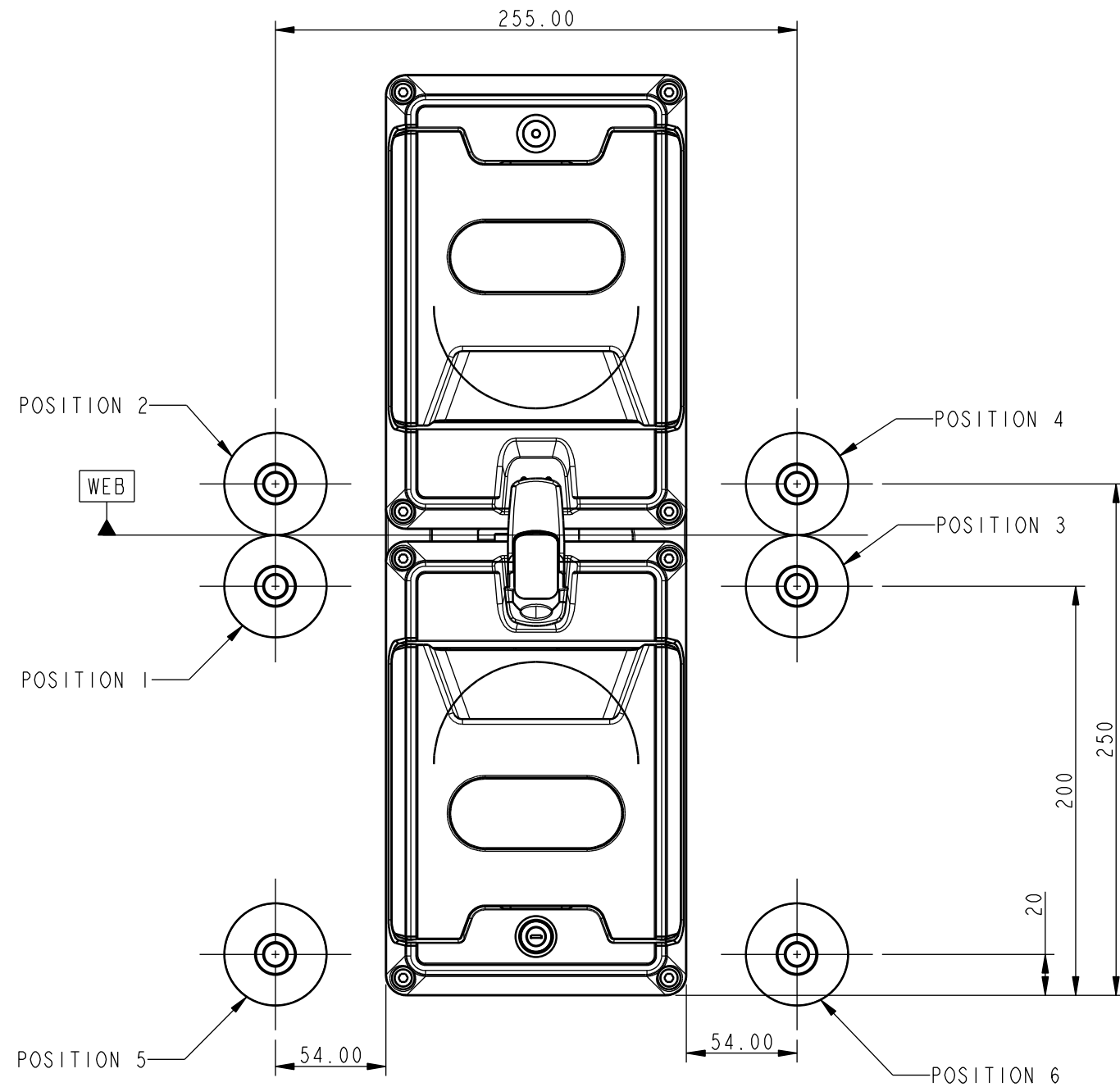


NOTES:

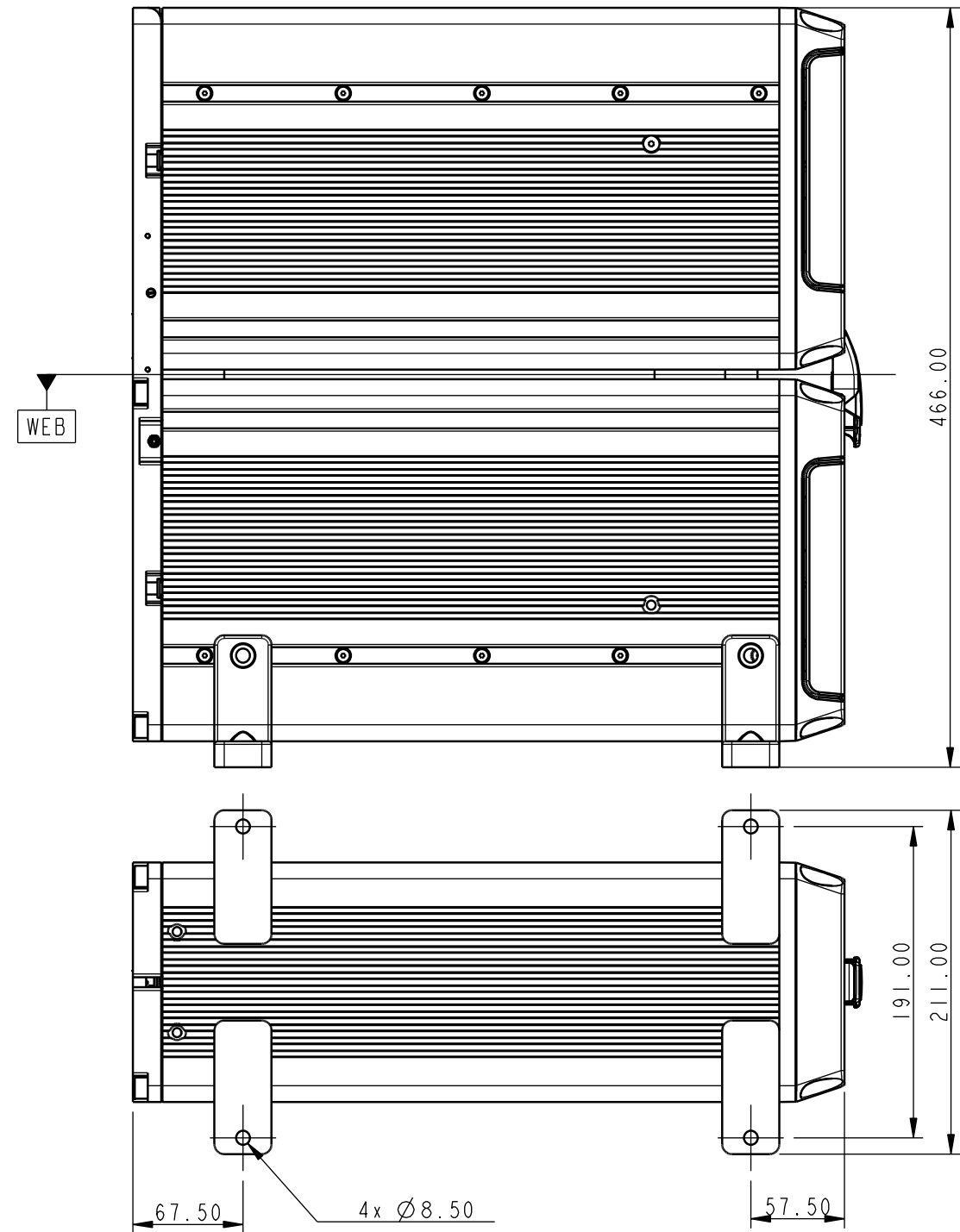
A					STD DESIGN SPEC. PI5487		© 2023 TEKNEK	TEKNEK River Drive, Inchinnan PA4 9RT, Scotland, United Kingdom Telephone: +44 (0) 141 568 8100 E-mail: teknek@teknek.com Web: - http://www.teknek.com			
					DIMENSIONAL TOLERANCES UNLESS OTHERWISE STATED: DIMENSION X. $\pm .50$ mm ANGLES X. $\pm 2.0^\circ$ X.X $\pm .25$ mm X.X $\pm 1.0^\circ$ X.XX $\pm .10$ mm X.XX $\pm 0.5^\circ$		ALL PRODUCTS DESIGNED, DEVELOPED AND MANUFACTURED BY TEKNEK ARE PROTECTED BY COPYRIGHT, UNREGISTERED DESIGN RIGHT AND, WHERE APPROPRIATE, PATENT OR REGISTERED DESIGN. NO ELEMENT OF ANY PRODUCT SHOULD BE COPIED WITHOUT THE PRIOR WRITTEN PERMISSION OF TEKNEK.				
	02	05.02.24	6306	MF	ENGR: M.FORSTER	DATE: 12.05.23	MATERIAL: SEE NOTES	PROJECT: NW3			
	01	07.11.23	6255	MF			FINISH: SEE NOTES	TITLE: NW3 DS LAYOUT			
	REV	DATE	ECN No.	ENG.			SCALE: 1:5	SHEET 1 OF 3	DRG SIZE: A3	PART No. PI78878	Rev. 02

1	2	3	4	5	6	7	8		
DESCRIPTION OF CHANGE SEE SHEET - 1		REV 02						PART No. P178878	Rev. 02

**DIVERTER ROLLER OPTIONS**



**BASE MOUNTING**

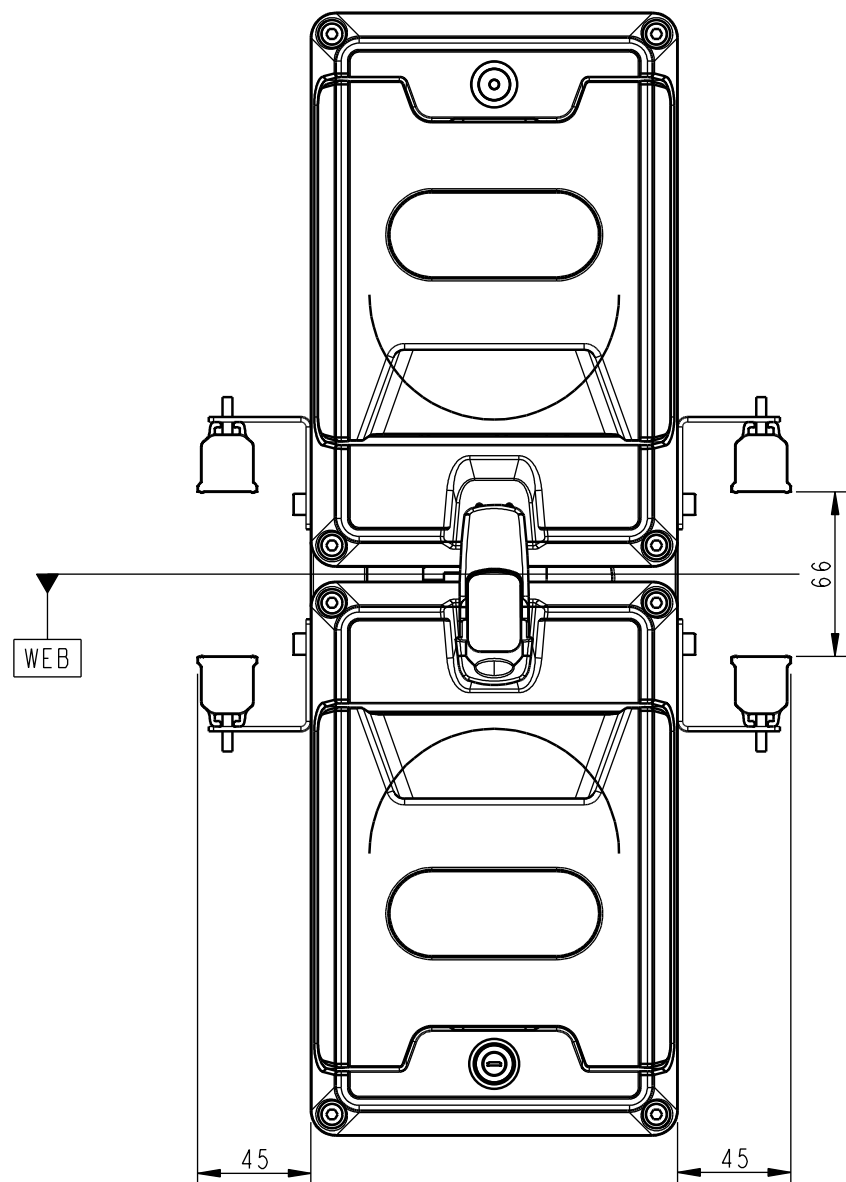


NOTES:

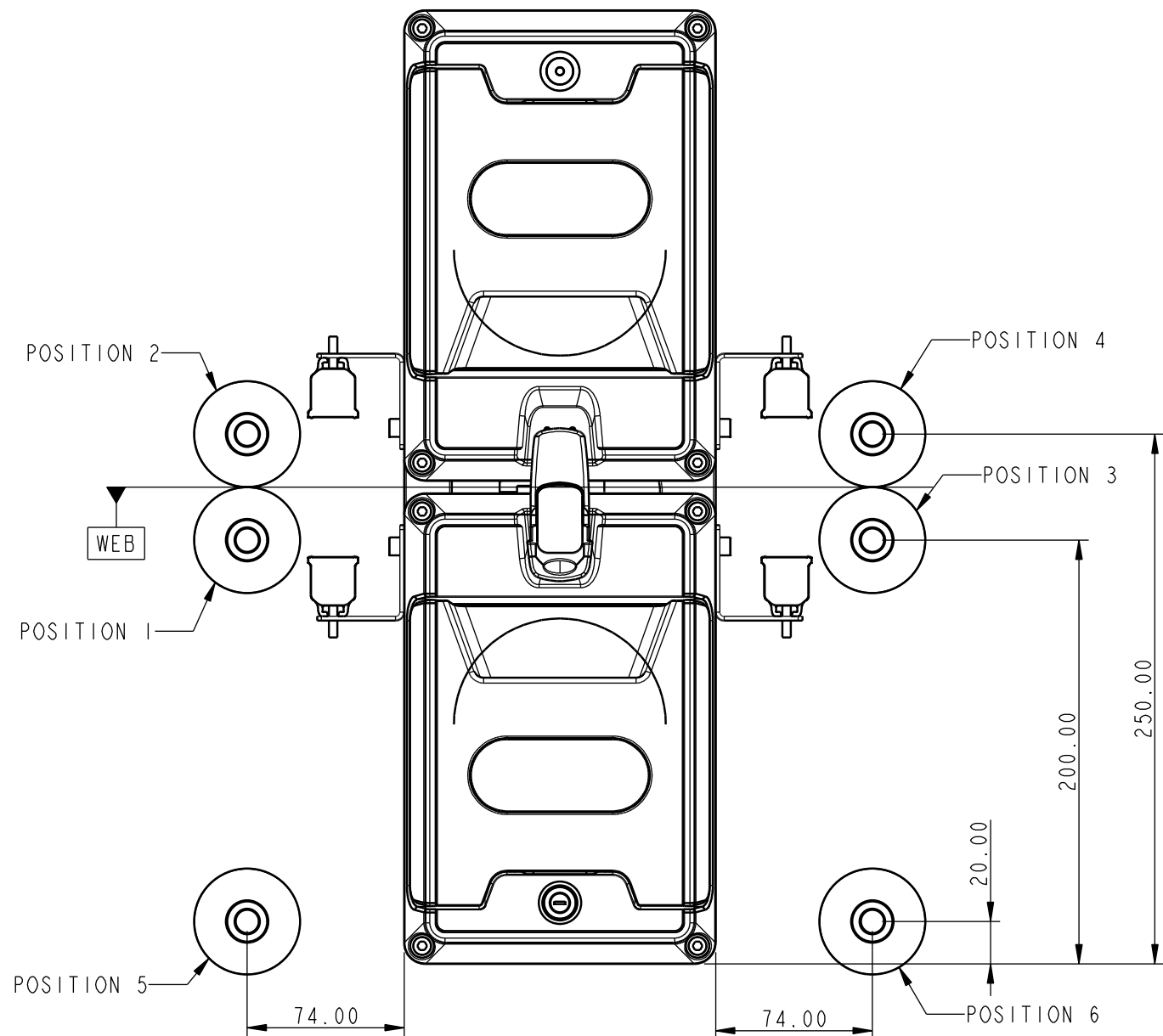
A					STD DESIGN SPEC. P15487		© 2023 TEKNEK	TEKNEK River Drive, Inchinnan PA4 9RT, Scotland, United Kingdom Telephone: +44 (0) 141 568 8100 E-mail: teknek@teknek.com Web: - http://www.teknek.com			
					DIMENSIONAL TOLERANCES UNLESS OTHERWISE STATED: DIMENSION X. ± .50mm ANGLES X. ± 2.0° X.X ± .25mm X.X ± 1.0° X.XX ± .10mm X.XX ± 0.5°		ALL PRODUCTS DESIGNED, DEVELOPED AND MANUFACTURED BY TEKNEK ARE PROTECTED BY COPYRIGHT, UNREGISTERED DESIGN RIGHT AND, WHERE APPROPRIATE, PATENT OR REGISTERED DESIGN. NO ELEMENT OF ANY PRODUCT SHOULD BE COPIED WITHOUT THE PRIOR WRITTEN PERMISSION OF TEKNEK.				
	02	05.02.24	6306	MF	ENGR: M.FORSTER	DATE: 12.05.23	MATERIAL: SEE NOTES	PROJECT: NW3			
	01	07.11.23	6255	MF			FINISH: SEE NOTES	TITLE: NW3 DS LAYOUT			
	REV	DATE	ECN No.	ENG.			SCALE: 33:100	SHEET 2 OF 3	DRG SIZE: A3	PART No. P178878	Rev. 02

1	2	3	4	5	6	7	8	
DESCRIPTION OF CHANGE SEE SHEET - 1		REV 02					PART No. PI78878	Rev. 02

**ACTIVE STATIC OPTIONS**



**ACTIVE STATIC WITH DIVERTER ROLLERS**



NOTES:

A					STD DESIGN SPEC. PI5487		© 2023 TEKNEK ®	TEKNEK River Drive, Inchinnan PA4 9RT, Scotland, United Kingdom Telephone: +44 (0) 141 568 8100 E-mail: teknek@teknek.com Web:- <a href="http://www.teknek.com">http://www.teknek.com</a>			
					DIMENSIONAL TOLERANCES UNLESS OTHERWISE STATED: DIMENSION X. ± .50mm ANGLES X. ± 2.0° X.X ± .25mm X.X ± 1.0° X.XX ± .10mm X.XX ± 0.5°		ALL PRODUCTS DESIGNED, DEVELOPED AND MANUFACTURED BY TEKNEK ARE PROTECTED BY COPYRIGHT, UNREGISTERED DESIGN RIGHT AND, WHERE APPROPRIATE, PATENT OR REGISTERED DESIGN. NO ELEMENT OF ANY PRODUCT SHOULD BE COPIED WITHOUT THE PRIOR WRITTEN PERMISSION OF TEKNEK.				
	02	05.02.24	6306	MF	ENGR: M.FORSTER	DATE: 12.05.23	MATERIAL: SEE NOTES	PROJECT: NW3			
	01	07.11.23	6255	MF			FINISH: SEE NOTES	TITLE: NW3 DS LAYOUT			
	REV	DATE	ECN No.	ENG.			SCALE: 1:5	SHEET 3 OF 3	DRG SIZE: A3	PART No. PI78878	Rev. 02