

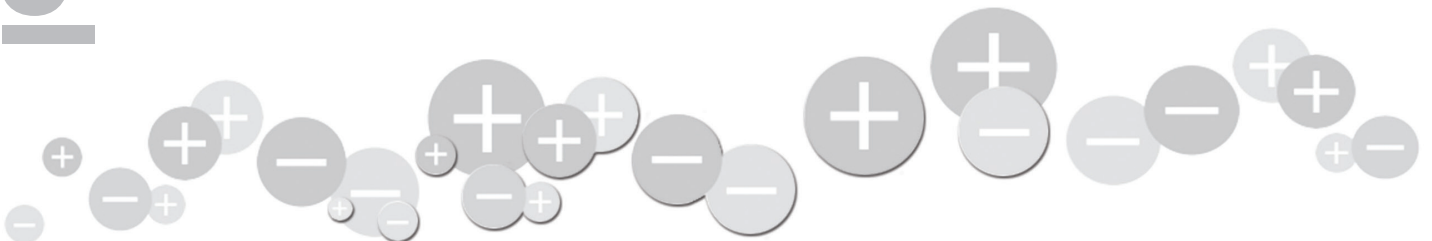


Envetron Brush

THE BETTER PASSIVE IONIZER

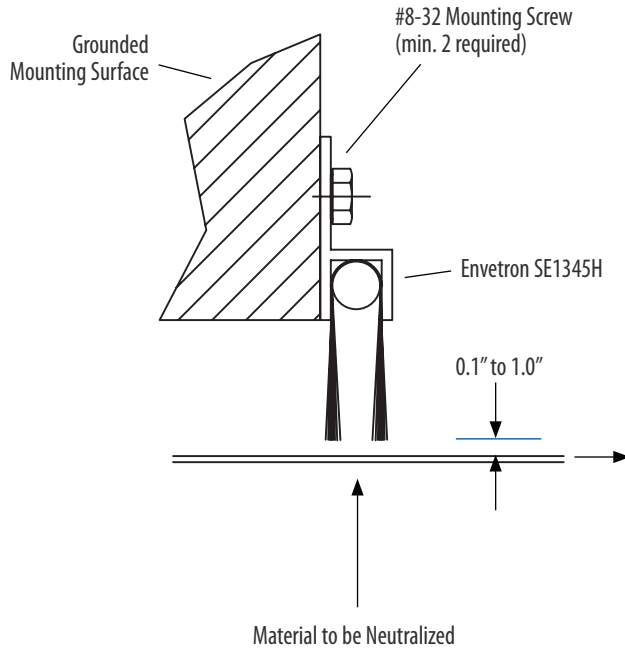
The processing of webs of many materials tends to create static charges on their surfaces. These charges attract dust and particulate contamination, cause handling problems and can even shock operators. Depending on the magnitude of the charge, introducing the Envetron Brush can reduce or eliminate problems. The brush allows for grounding of the material or ionizing of the air immediately above or below the web without contacting it.

- Carbon fiber bristles ensure the optimal placement for the best static elimination performance
- The rigid aluminum structure of the brush eliminates sag and droop while also ensuring ease and safety in replacing
- Available in 1" lengths up to 120" with length easily adjusted on site



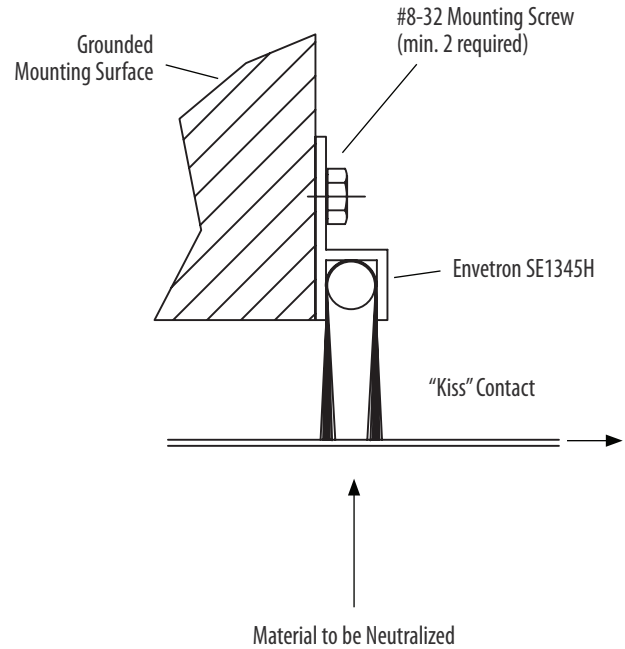
Non-Contact Neutralization

For processes in which contact is not desired, the fibers should be placed as close to the material as possible. In this position, they will reduce high static charges to a threshold that usually is sufficiently low to avoid production problems and shocks to operators.



Contact Neutralization

Another method of using the brush is to mount it so the fibers just "kiss" the material to be neutralized. The brush will then conduct the charge to the ground, eliminating the static charge.



SIMCO IONTM
An ITW Company

P/N 5201314 Rev. A
© 2020 Simco-Ion - All rights reserved.
Specifications are subject to change without notice.

Simco-Ion

2257 North Penn Road
Hatfield, PA 19440-1998
Tel: 800.203.3419 (in USA)
Tel: 215.822.6401

customerservice@simco-ion.com
www.simco-ion.com