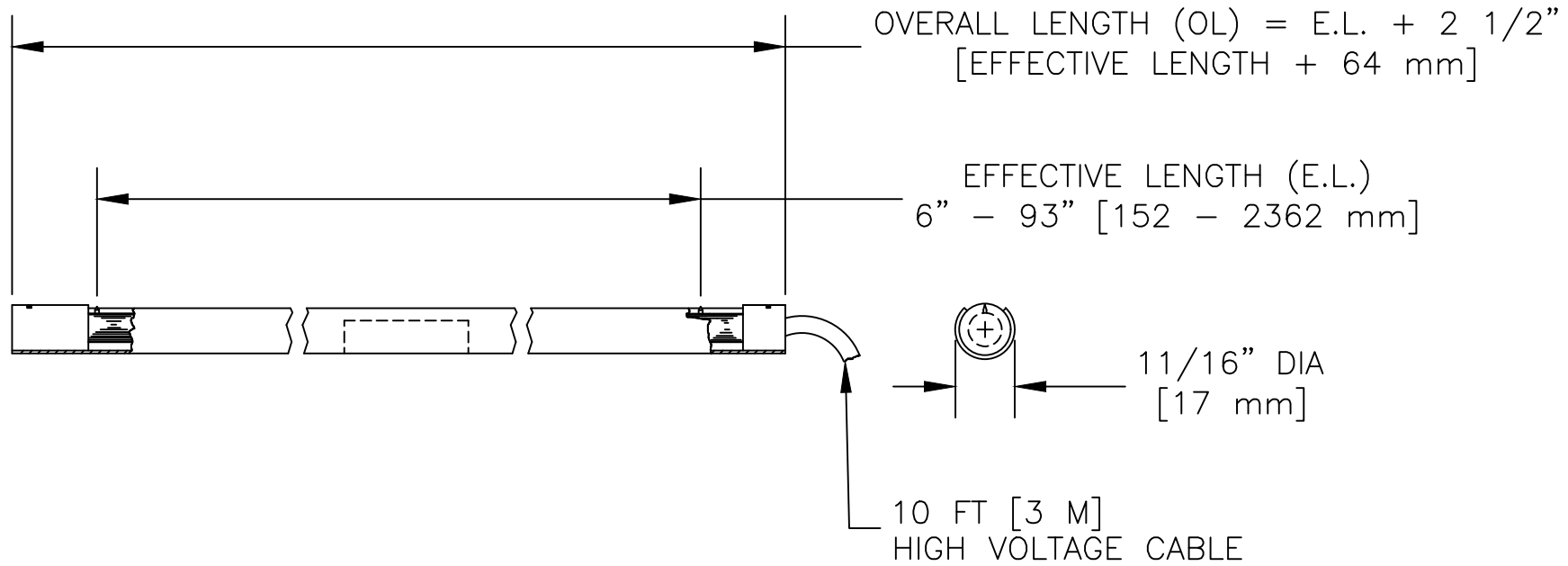


MOUNTING HOLES FOR
#10 SCREWS SPACED ON
1/2" [13 mm] CENTERS

STANDARD MOUNTING BRACKETS



ALL DIMENSIONS FOR REFERENCE ONLY

A	MU JG	4519 12/3/25
REV	CHECKED APPROVED	ECN DATE



2257 NORTH PENN ROAD
HATFIELD, PA USA
19440-1998

TITLE
MEJ
STATIC BAR

DRAWING NUMBER
5000867