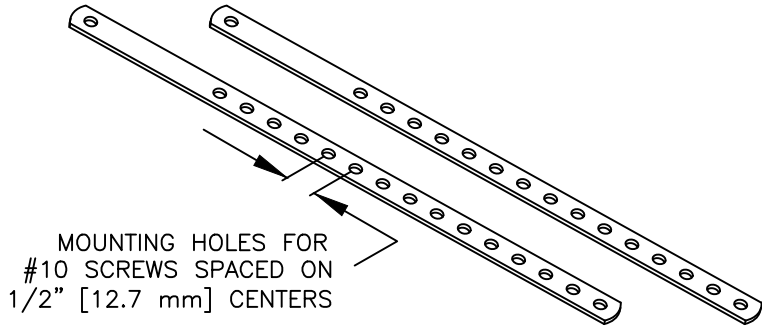


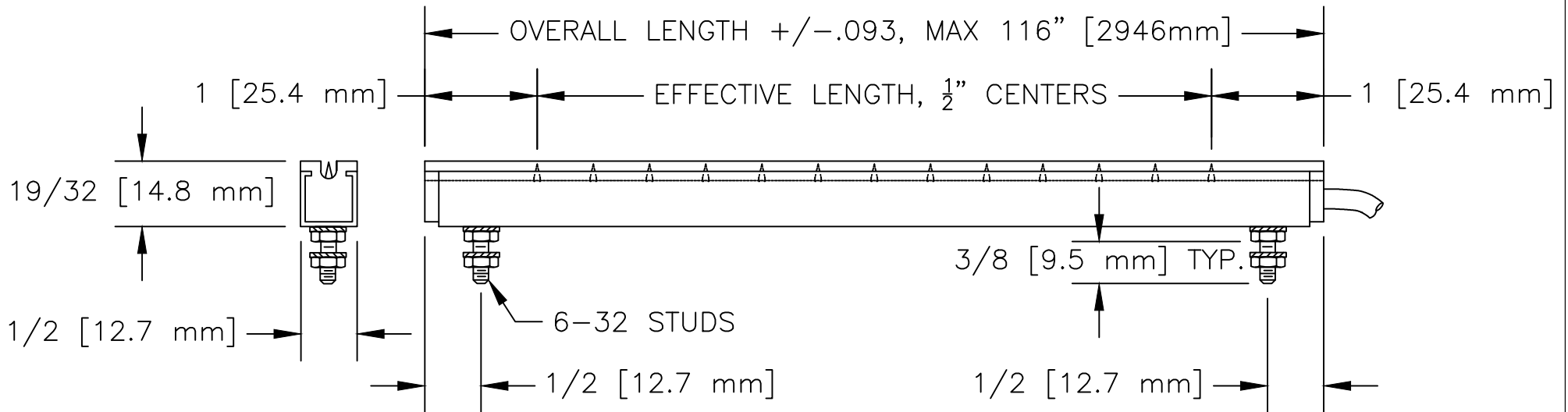
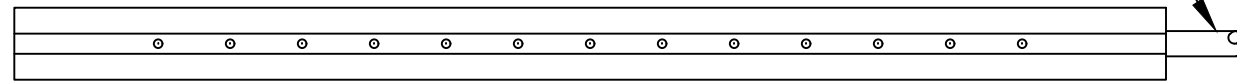


NOTE:
 WHEN BARS ARE OVER 80" LONG
 AN ADDITIONAL MOUNTING STUD
 IS LOCATED AT CENTER OF BAR
 BETWEEN MOUNTING STUDS.



STANDARD MOUNTING BRACKETS

H.V. CABLE, 10' [3 m] LENGTH STANDARD



ALL DIMENSIONS FOR REFERENCE ONLY

J	MU JG	4519 12/3/25
REV	CHECKED APPROVED	ECN DATE



2257 NORTH PENN ROAD
 HATFIELD, PA USA
 19440-1998

TITLE

SS-50 STATIC BAR

DRAWING NUMBER
 5000016