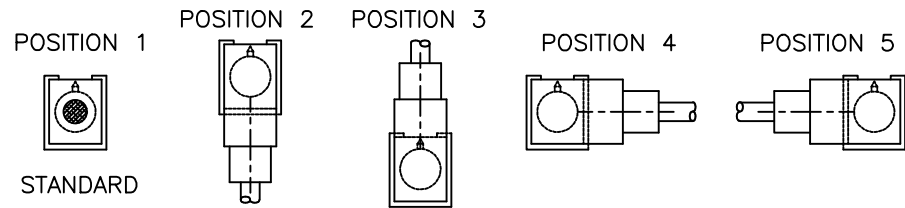


MOUNTING HOLES FOR
#10 [M5] SCREWS SPACED ON
1/2" [12.7 mm] CENTERS

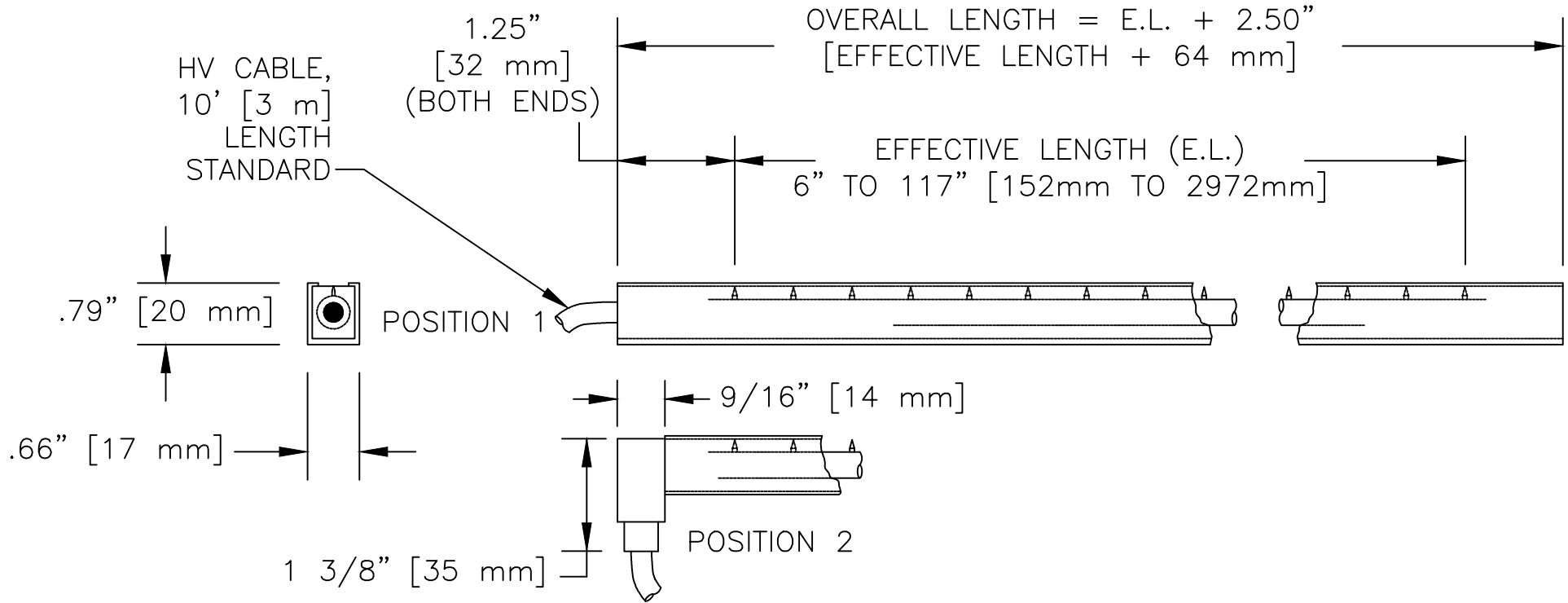


ALL VIEWS FROM CABLE END OF BAR



STANDARD MOUNTING BRACKETS

OPTIONAL RIGHT ANGLE CABLE EXITS



ALL DIMENSIONS FOR REFERENCE ONLY

H	MU JG	4546 4/6/26
REV	CHECKED APPROVED	ECN DATE



2257 NORTH PENN ROAD
HATFIELD, PA USA
19440-1998

TITLE

DIM. DWG.
MEB STATIC BAR

DRAWING NUMBER
5000004